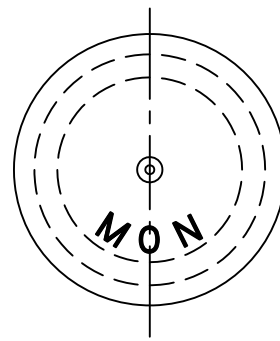
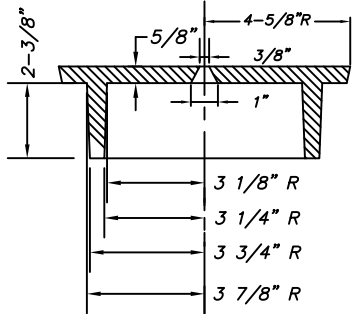


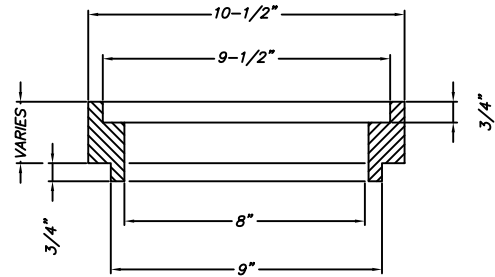
PLAN
COVER REMOVED



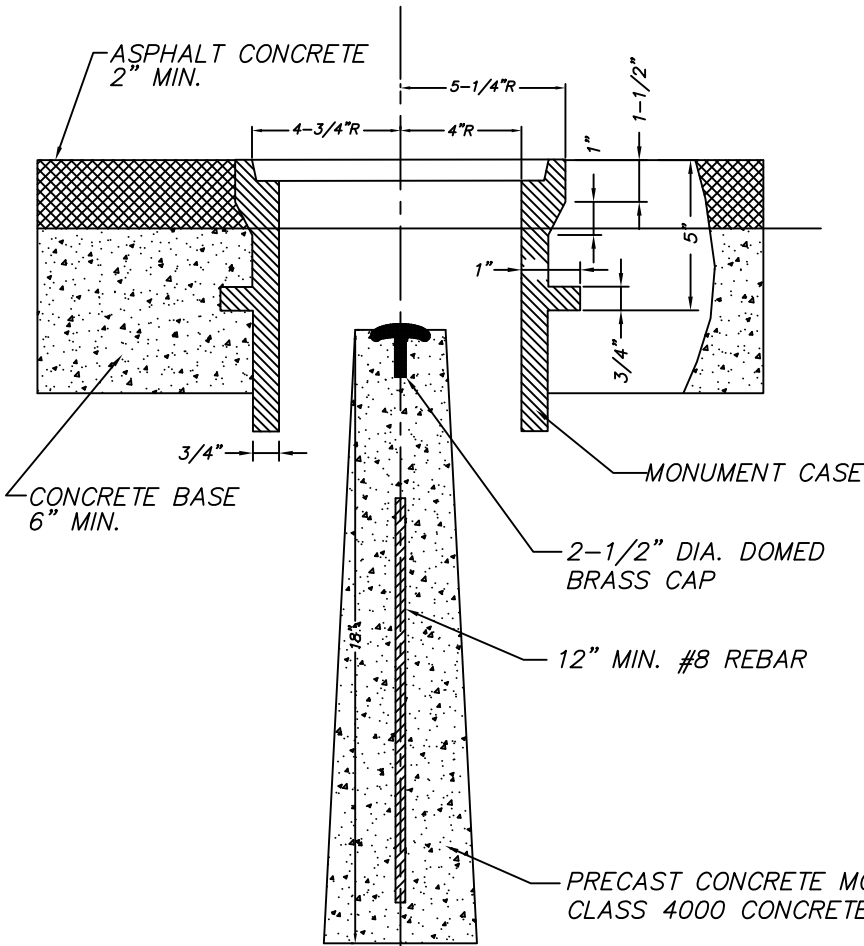
COVER PLAN



COVER SECTION



EXTENSION SECTION



SECTION

NOTES:

1. ALL MONUMENTS SHALL BE PRECAST CONCRETE WITH REBAR AND 2-1/2" BRASS CAP.
2. MONUMENT CASE AND RISER SECTION SHALL BE CAST IRON PER ASTM-A48 CLASS 30, WITH BITUMINOUS COATING.
3. COVER SHALL BE DUCTILE IRON PER ASTM-A536, GRADE 80-55-06, WITH BITUMINOUS COATING.
4. LEGEND ON COVER SHALL BE 1/8" RAISED INTEGRALLY CAST LETTERS 1" HIGH WITH A MIN. FACE WIDTH OF 3/16".
5. MONUMENT POSITION SHALL BE SET BY A PROFESSIONAL LAND SURVEYOR LICENSED BY THE STATE OF WASHINGTON WHOSE CERTIFICATE NUMBER SHALL BE STAMPED ON THE CAMP.

APPROVED BY	REVISED DATE	CITY OF CENTRALIA	STD. PLAN NO.
CITY ENGINEER	06/2017	SURVEY MONUMENT	4-04
2022 Standard Drawings			