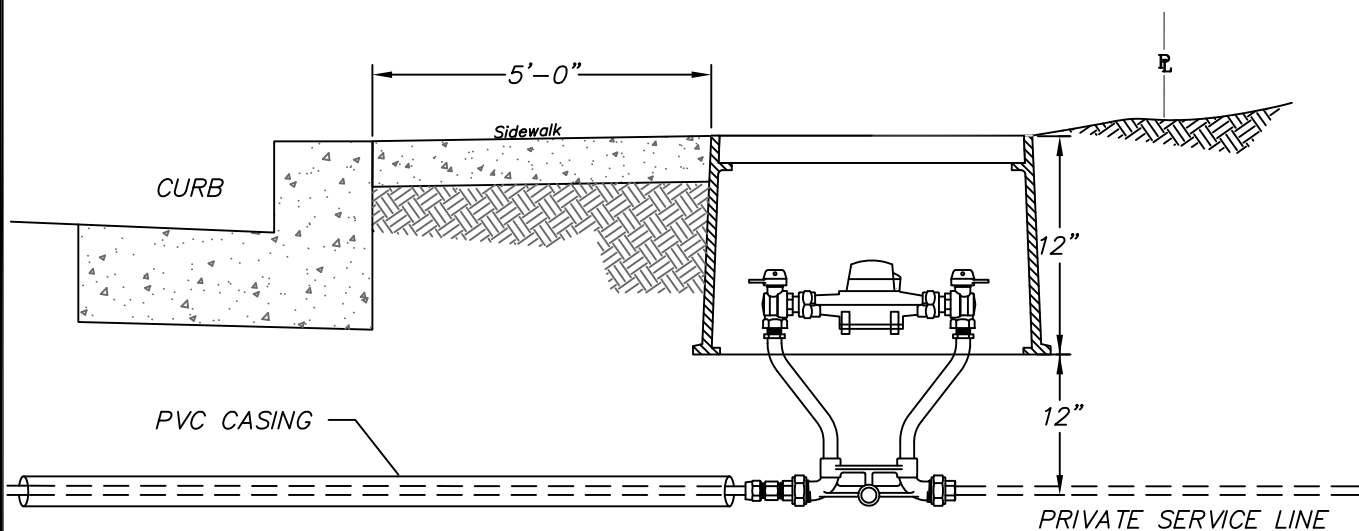


METER BOX – TYPE – Carson Heavy Wall as shown on the detail for specific meter size
 DUCTILE IRON COVER w/ FLIP READER LIDS, as shown on details
 All appurtenances placed inside meter box shall be centered to
 operate valves and read the meter.



LONG SIDE SERVICES ARE REQUIRED TO BE CASING
 SEE DETAILS ON WATER MAIN INSTALLATION GENERAL NOTES SECTION

APPROVED BY	REVISED DATE	CITY OF CENTRALIA	STD. PLAN NO.
CITY ENGINEER	04/2019	TYPICAL METER PLACEMENT	2-01