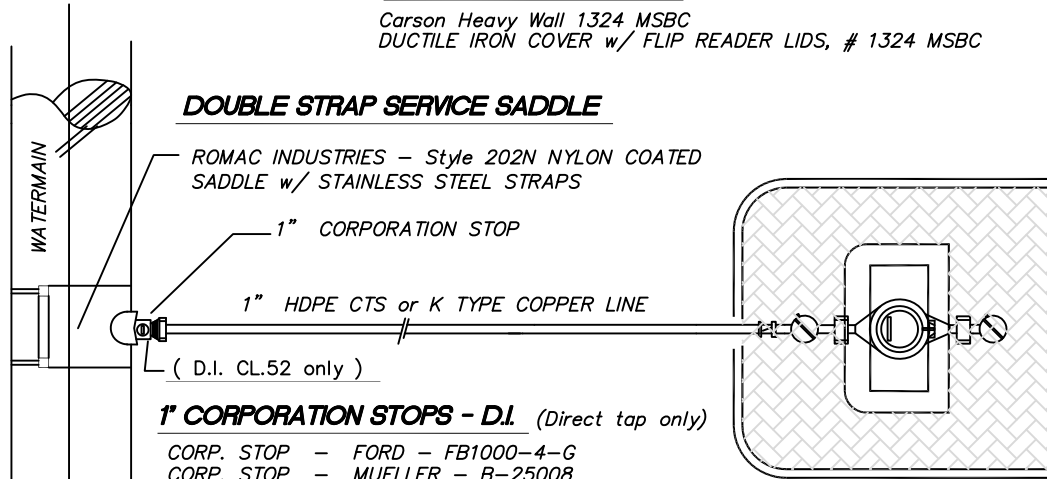


METER BOX ASSEMBLY

Carson Heavy Wall 1324 MSBC
 DUCTILE IRON COVER w/ FLIP READER LIDS, # 1324 MSBC

DOUBLE STRAP SERVICE SADDLE



1" CORPORATION STOPS - D.I. (Direct tap only)

CORP. STOP - FORD - FB1000-4-G
 CORP. STOP - MUELLER - B-25008

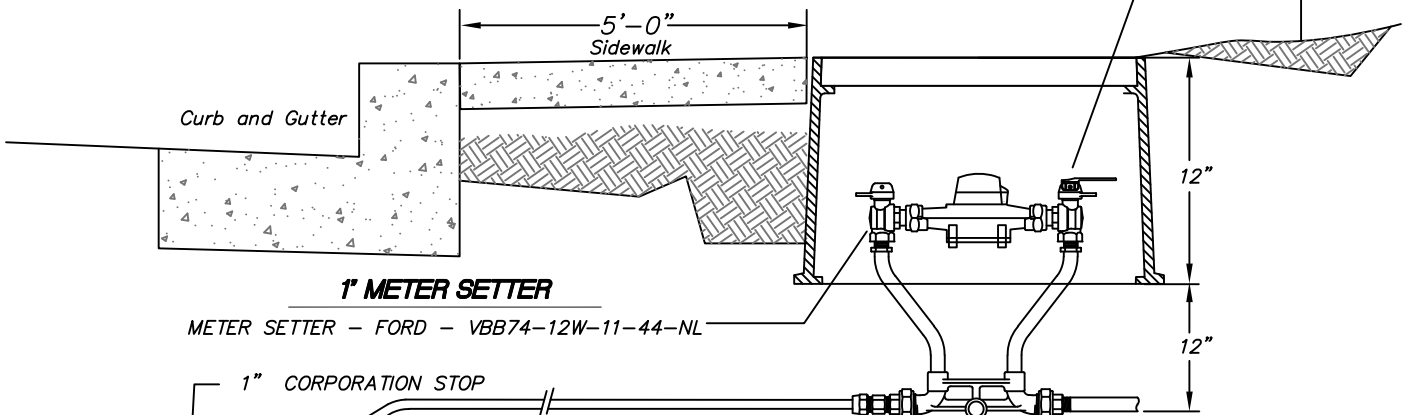
1" CORPORATION STOPS - A.C., P.V.C. only

CORP. STOP - FORD - FB1100-4-G
 CORP. STOP - MUELLER - B-25028

CUSTOMER SIDE HANDLE

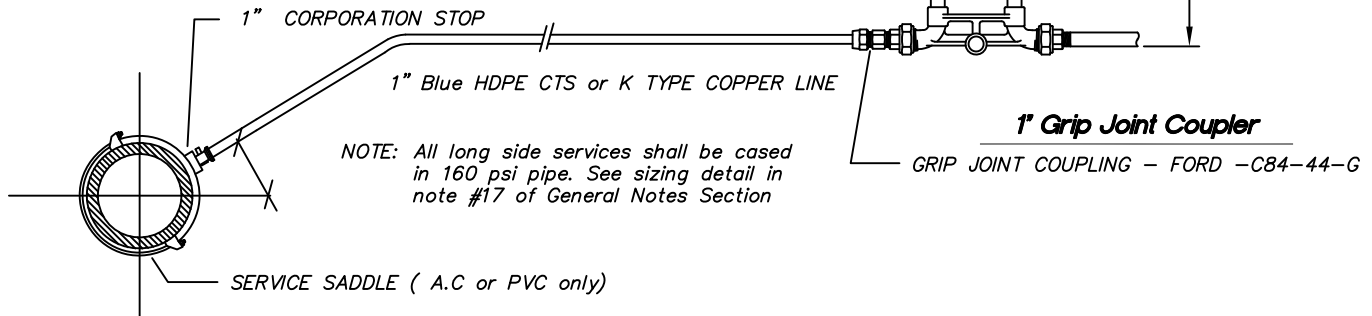
VALVE HANDLE - FORD - HB-34

Property Line



1" METER SETTER

METER SETTER - FORD - VBB74-12W-11-44-NL



NOTES:

1. ALL SERVICE SADDLES SHALL HAVE RUBBER GASKET, I.P. THREADS AND NYLON COATED.
2. IN APPROVED SOIL SENSITIVE AREAS HDPE MAINS AND SERVICE LINES ARE REQUIRED. A TONING (tracer) WIRE, UL LISTED, TYPE UF, SOLID CORE, 12 GAUGE INSULATED COPPER IS REQUIRED. AN IDEAL TWISTER DB PLUS WIRE CONNECTOR, MODEL 60 IS REQUIRED TO CONNECT TRACER WIRES TOGETHER (i.e. trace wire extension from spool to spool, service to main, main to main at intersections, and hydrant to main installations). Blue HDPE CTS sched. 200 psi shall be substituted for type K copper in service lines.
3. DUCTILE IRON MAINS SHALL BE DIRECT TAPPED ONLY
4. ASBESTOS CEMENT (A.C.) AND PVC MAINS SHALL REQUIRE A SADDLE FOR TAPPING
5. STAINLESS STEEL PIPE STIFFENERS ARE REQUIRED WHERE HDPE PIPE IS USED

APPROVED BY	REVISED DATE	CITY OF CENTRALIA	STD. PLAN NO.
CITY ENGINEER	02/2020	1" SINGLE METER SERVICE STANDARD	2-03