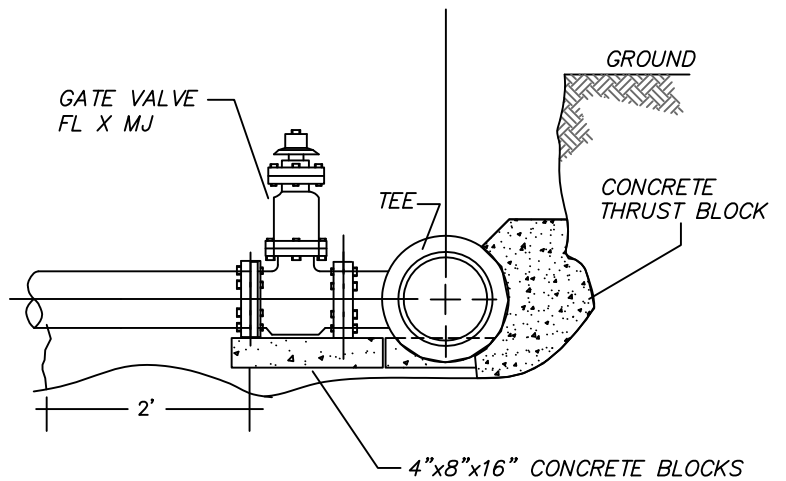
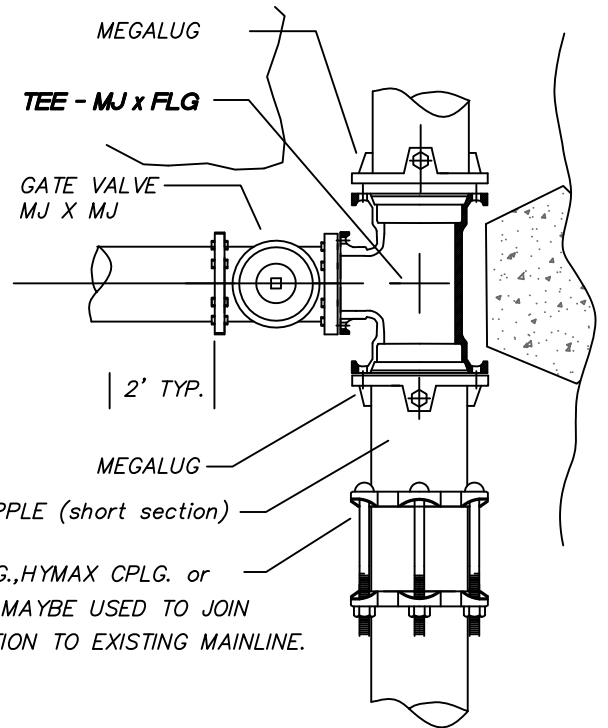
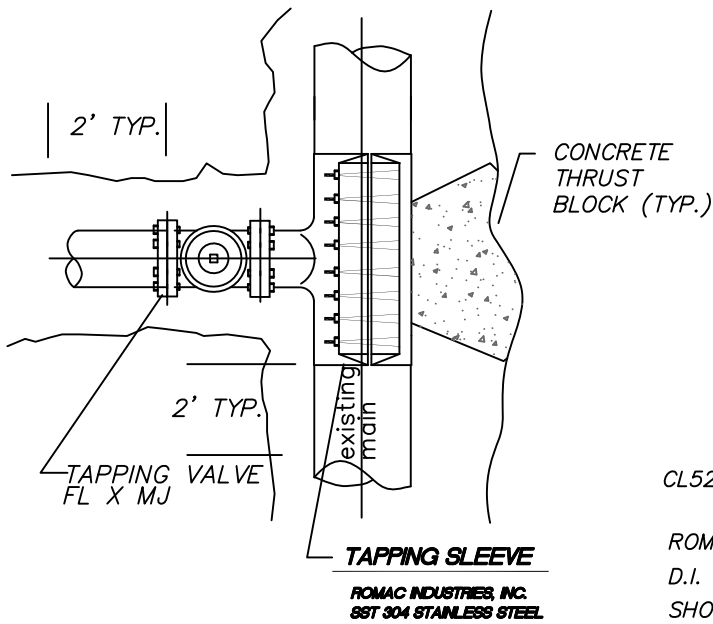


LIVE TAP

CUT-IN-TEE



NOTES:

1. 12 ML PLASTIC OR CONSTRUCTION FABRIC SHALL BE WRAPPED AROUND PIPE AND FITTINGS BEFORE THRUST BLOCKS ARE POURED.
2. SUPPORT VALVE AND SLEEVE CONTINUOUSLY THROUGH INSTALLATION.

VALVE AND SLEEVE SHALL BE SUPPORTED AND BACKFILLED AS SHOWN BELOW - RIGHT

APPROVED BY	REVISED DATE	CITY OF CENTRALIA	STD. PLAN NO.
CITY ENGINEER	06/2017	LIVE TAP & CUT-IN-TEE STANDARD	2-11