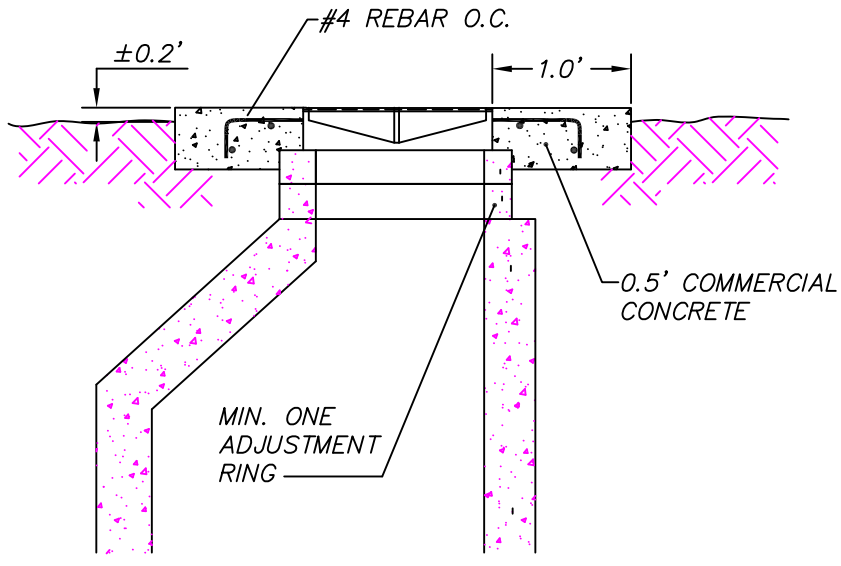
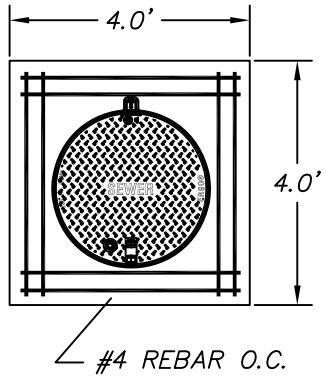


**MANHOLE IN ASPHALT**



**MANHOLE OUTSIDE ASPHALT**

**NOTE:**

1. ON MANHOLE OUTSIDE ASPHALT ADD REINFORCING STEEL AS SHOWN ABOVE. DEFORMED BAR TO MEET ASTM A615 GRADE 60 FY=60,000 P.S.I.
2. MANHOLE COVER AND FRAME SHALL BE ERGO 24 7" TALL CAM LOCKING HINGED MANHOLE ASSEMBLY, SEWER P/N #00104043L03

APPROVED BY	REVISED DATE	<b>CITY OF CENTRALIA</b>	STD. PLAN NO.
CITY ENGINEER	<b>06-2017</b>	<b>MANHOLE COLLAR</b>	<b>3-03</b>