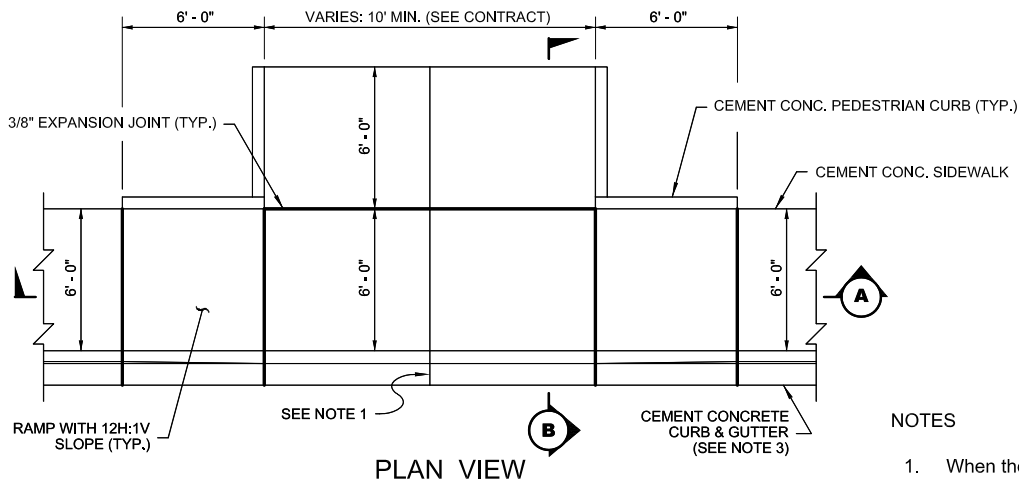
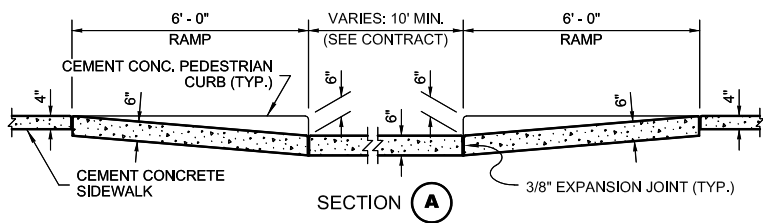


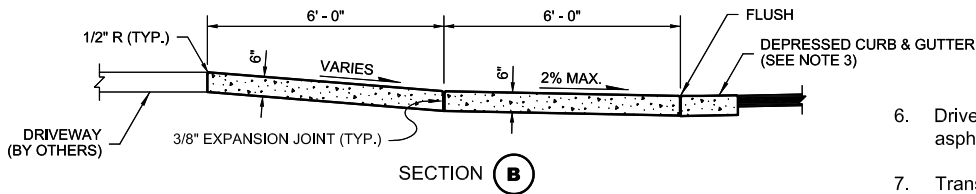
CEMENT CONCRETE DRIVEWAY ENTRANCE TYPE 1



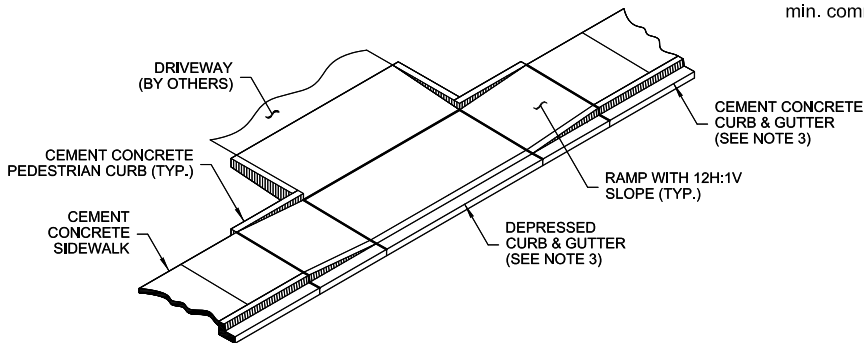
PLAN VIEW



SECTION A



SECTION B



TYPE 1 - ISOMETRIC VIEW

NOTES

1. When the driveway width exceeds 15 feet, construct a full depth expansion joint with $\frac{3}{8}$ " joint filler along the driveway centerline.
2. See Std. Plan 5-01 for sidewalk details.
3. Curb and gutter shown. See Standard Plan 5-02 for curb details.
4. Avoid placing drainage structures, junction boxes or other obstructions in front of driveway entrances.
5. Concrete mix shall be class 4000psi mix.
6. Driveway transition to existing driveways shall be asphalt or concrete.
7. Transition ped curbs shall be installed as needed.
8. Minimum 4" depth compacted CSTC shall be placed as base prior to concrete placement. (6" min. commercial)

APPROVED BY	REVISED DATE	CITY OF CENTRALIA	STD. PLAN NO.
CITY ENGINEER	06-2020	CEMENT CONCRETE DRIVEWAY COMMERCIAL	5-03A