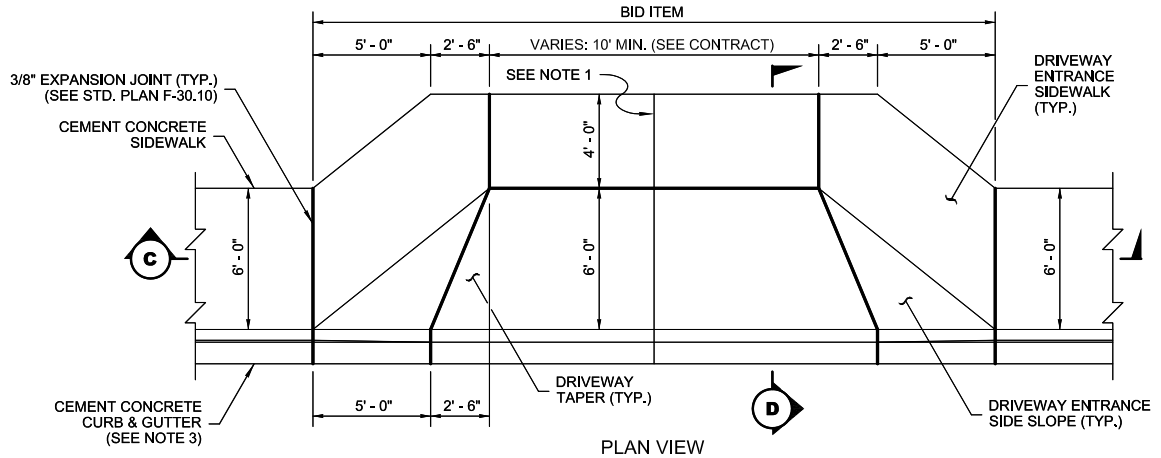
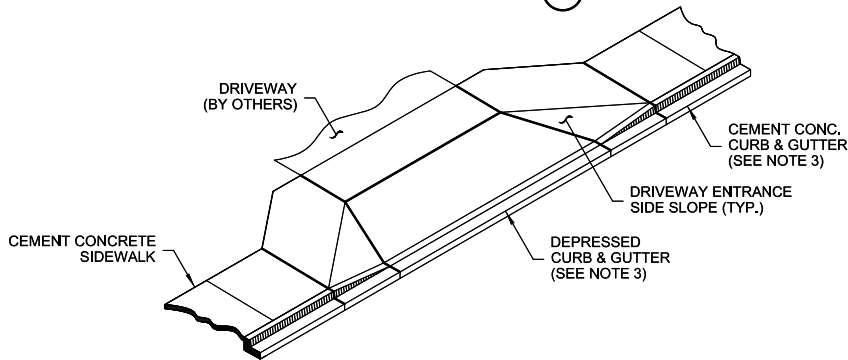
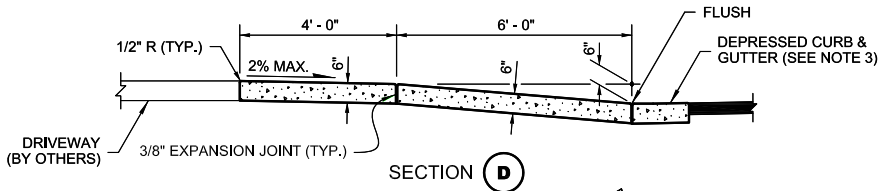
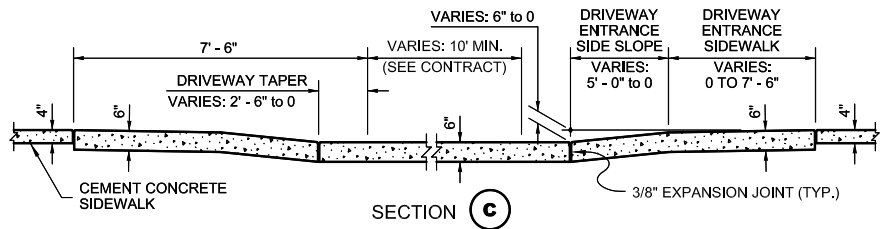


CEMENT CONCRETE DRIVEWAY ENTRANCE TYPE 2



NOTES

1. When the driveway width exceeds 15 feet, construct a full depth expansion joint with 3/8" joint filler along the driveway centerline.
2. See Std. Plan 5-01 for sidewalk details.
3. Curb and gutter shown, See Standard Plan 5-02 for curb details.
4. Avoid placing drainage structures, junction boxes or other obstructions in front of driveway entrances.
5. Concrete mix shall be class 4000psi mix.



TYPE 2 - ISOMETRIC VIEW

APPROVED BY	REVISED DATE	CITY OF CENTRALIA	STD. PLAN NO.
CITY ENGINEER	06-2017	CEMENT CONCRETE DRIVEWAY RESIDENTIAL	5-03B