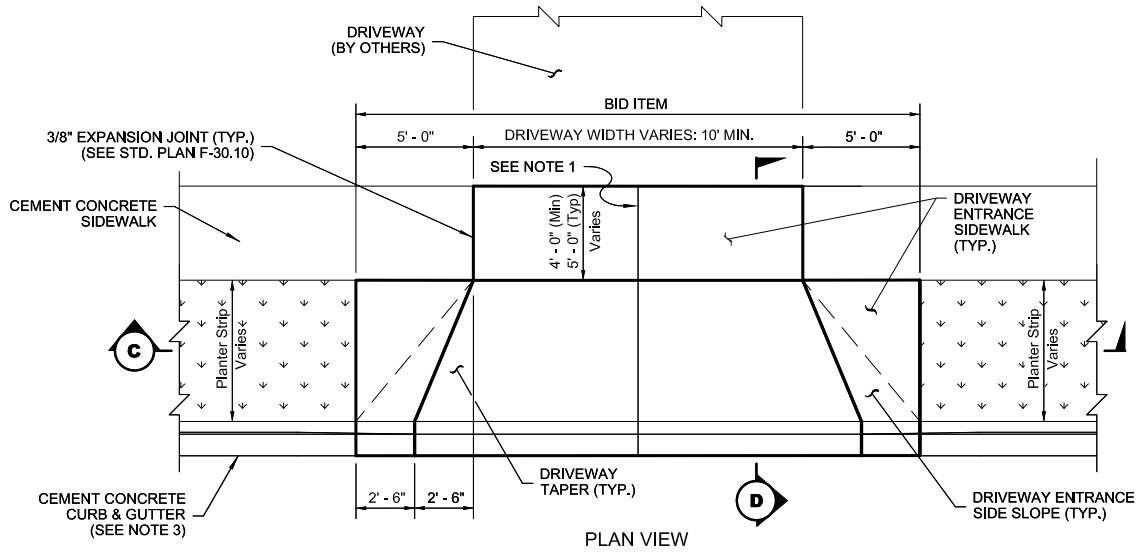
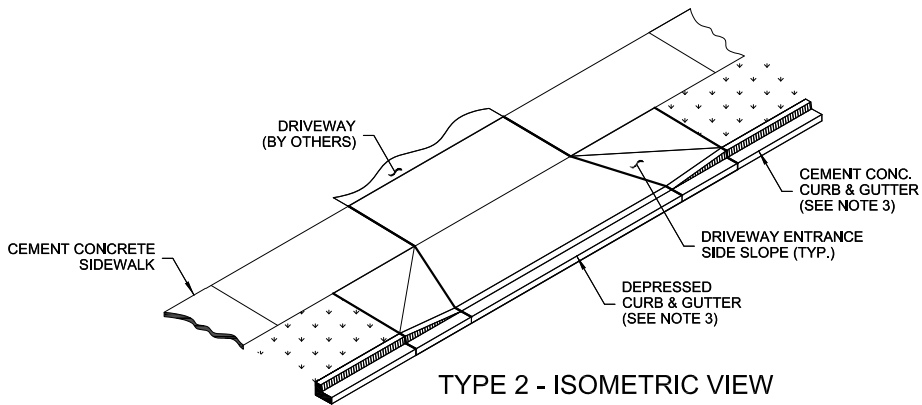
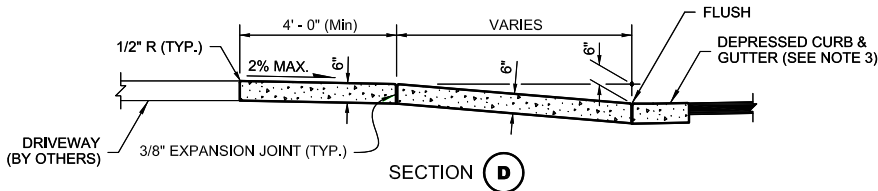
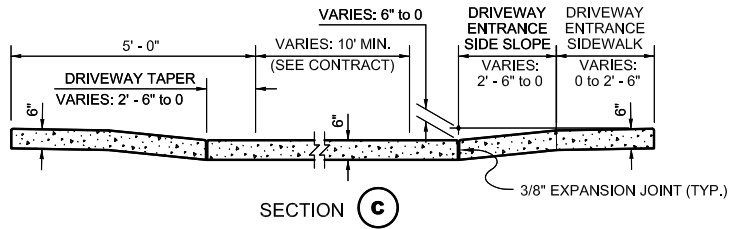


CEMENT CONCRETE DRIVEWAY ENTRANCE TYPE 2



NOTES

1. When the driveway width exceeds 15 feet, construct a full depth expansion joint with 3/8" joint filler along the driveway centerline.
2. See Std. Plan 5-01 for sidewalk details.
3. Curb and gutter shown, See Standard Plan 5-02 for curb details.
4. Avoid placing drainage structures, junction boxes or other obstructions in front of driveway entrances.
5. Concrete mix shall be class 4000psi mix.



APPROVED BY	REVISED DATE	CITY OF CENTRALIA	STD. PLAN NO.
CITY ENGINEER	06-2017	CEMENT CONCRETE DRIVEWAY with PLANTER STRIP	5-03C