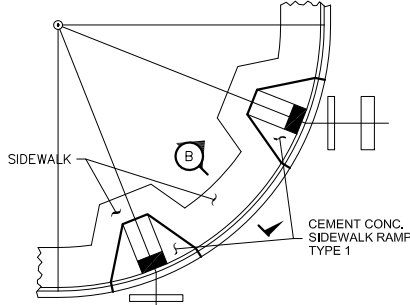
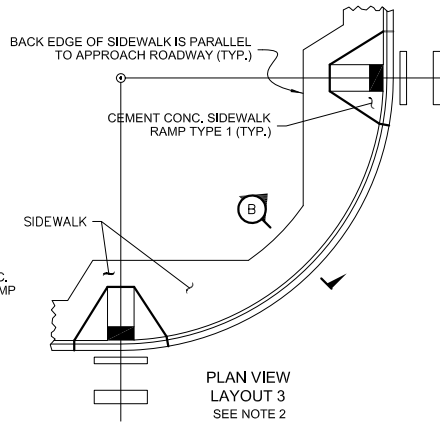


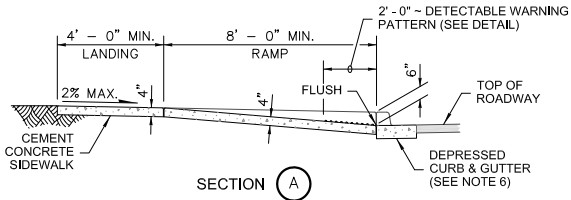
PLAN VIEW LAYOUT 1  
SEE NOTE 2



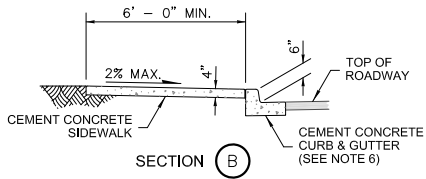
PLAN VIEW LAYOUT 2  
SEE NOTE 2



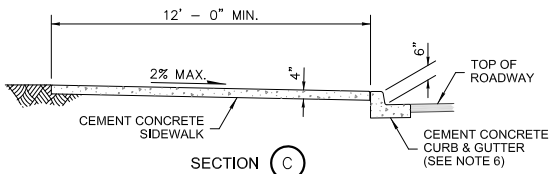
PLAN VIEW LAYOUT 3  
SEE NOTE 2



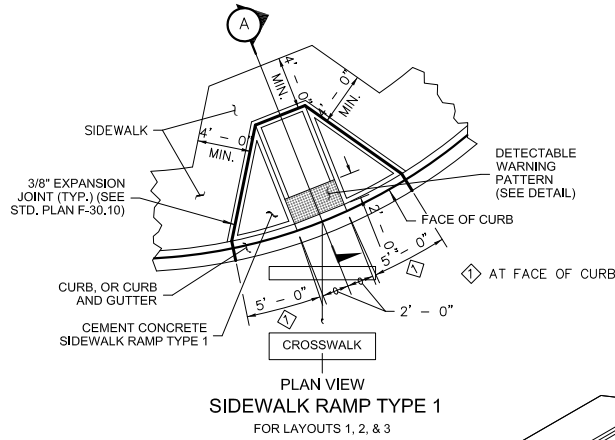
SECTION A



SECTION B

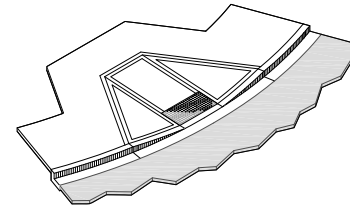


SECTION C



PLAN VIEW  
SIDEWALK RAMP TYPE 1  
FOR LAYOUTS 1, 2, & 3

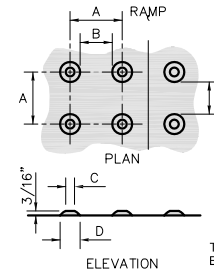
SEE NOTE 2



ISOMETRIC VIEW

NOTES

1. The bottom of the ramp shall have a level area (not in excess of 2% in any direction), 4' x 4'.
2. Layouts 1, 2, & 3 require two (2) of this bid item: "Cement Conc. Sidewalk Ramp Type 1". The bid item does not include the adjacent Curb (or Curb & Gutter), or Sidewalk.
3. Ramp slopes shall not be steeper than 12H:1V.
4. To the maximum extent feasible, ramp cross slopes shall not exceed 2%.
5. Avoid placing drainage structures, junction boxes or other obstructions in front of ramp access areas.
6. Curb & Gutter is shown, see the Contract Plans for the curb design specified. See Standard Plan F-10.12 for curb details.
7. See Standard Plan F-30.10 for sidewalk joint placement and details.



DETECTABLE WARNING PATTERN DETAIL

	MIN.	MAX.
A	1 5/8"	2 3/8"
B	5/8"	1 1/2"
C	7/16"	3/4"
D	7/8"	1 7/16"

5-05

STD. PLAN NO.

APPROVED BY

REVISED DATE

CITY OF CENTRALIA

CITY ENGINEER

06/2017

SIDEWALK RAMP TYPE 1  
WITH LAYOUTS