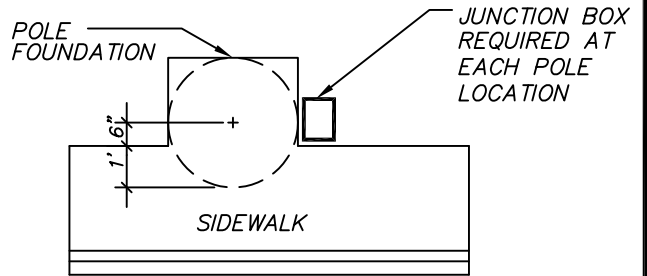


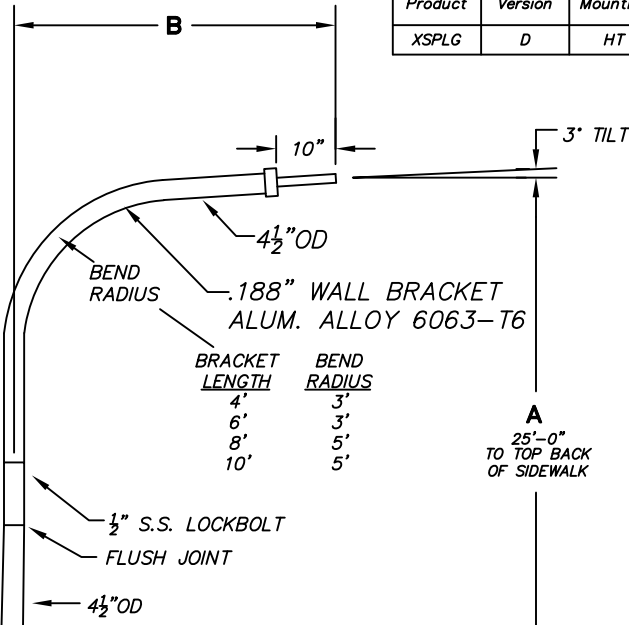
Product	Version	Mounting	Optic	Lumen Package	CCT/CRI	Voltage	Color Options	Options
XSPLG	D	HT	2ME	18L	40K7	UL	SV	X4



CREE XSPLG LUMINAIRE

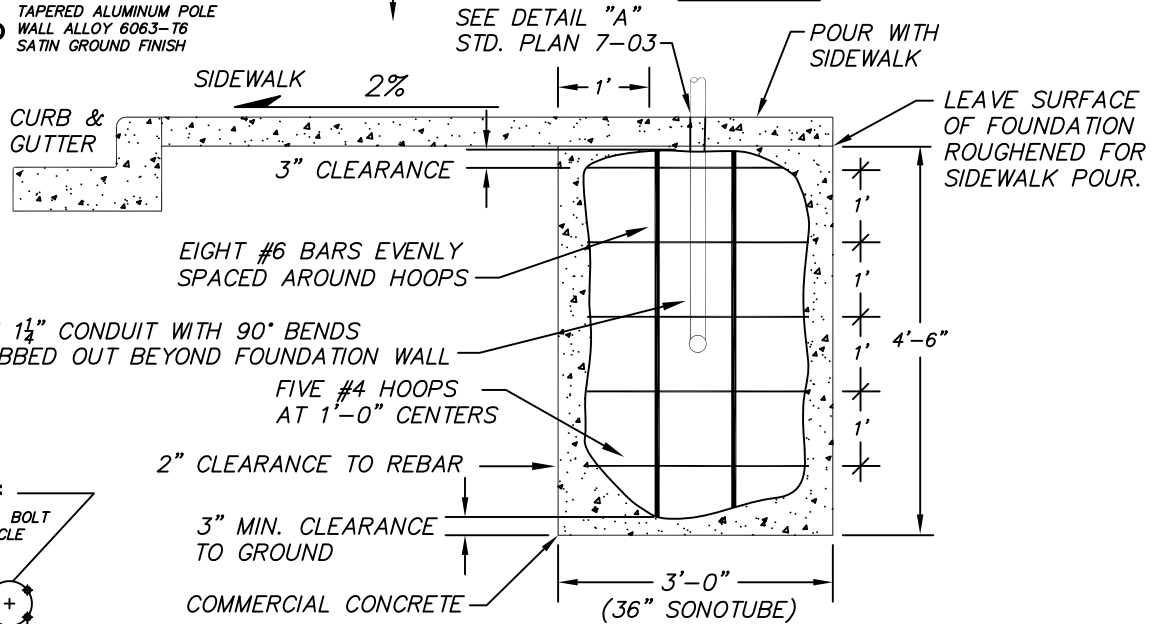
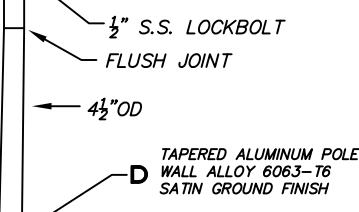


PLAN VIEW



BRACKET LENGTH	BEND RADIUS
4'	3'
6'	3'
8'	5'
10'	5'

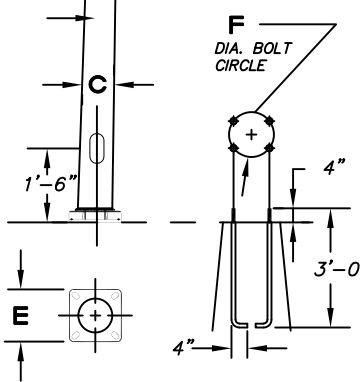
A
25'-0"
TO TOP BACK
OF SIDEWALK



FOUNDATION

GENERAL NOTES:

1. THE FOUNDATION IS DESIGNED FOR 200 PSF AVERAGE SOIL LATERAL BEARING PRESSURE.
2. STANDARD COUPLING REQUIRED ON ALL STREETS.
3. BOLT PATTERN PER MANUFACTURERS SPECIFICATIONS.
4. FOR DETAILS NOT SHOWN USE MANUFACTURERS SPECIFICATIONS AND DETAILS.
5. L & I ELECTRICAL PERMIT AND PROOF OF WORK INSPECTED.



25' 0"	8'	41-195	42-195	7"	.188"	10.5"	10" TO 11"
A	B	CATALOG SINGLE BRACKET	CATALOG TWIN BRACKET	C	D	E	F

APPROVED BY	REVISED DATE	CITY OF CENTRALIA	STD. PLAN NO.
CITY ENGINEER	02/2020	STREET LIGHT DETAILS	7-01