

MEUG16-M-100  
MILBANK CP3B1115ACT005 (NOT SHOWN)

**SPECIFICATIONS**

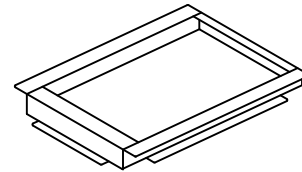
1. STANDARD VOLTAGE IS 120/240V 103W
2. CALTRANS TYPE 3B SERVICE OR U.L. APPROVED EQUAL
3. TYPE 3R RAINPROOF ENCLOSURE
4. 12 GAUGE ZINC COATED STEEL CONSTRUCTION
4. INTERIORS WILL ACCEPT PLUG-IN BREAKERS (BRYANT, G.E., WESTINGHOUSE, ITE, CROUSE-HINDS)
6. STANDARD FINISH: LIGHT GREEN BAKED ENAMEL OVER CORROSION RESISTANT ZINC CHROMATE PRIMER. EXCEEDS 250 HOURS SALT SALT SPRAY ASTM B-117
7. DETACHABLE PADMOUNT SUB-BASE
8. COPPER BUSSED INTERIOR HAS PROVISIONS FOR TWELVE FULL ONE-INCH POLES.
9. SUITABLE FOR USE WITHOUT A MAIN WHEN NO MORE THAN SIX SERVICE DISCONNECTS ARE INSTALLED AND USED IN ACCORDANCE WITH ARTICLE 384 OF THE NEC.

**THE UNIT SHALL CONTAIN THE FOLLOWING ADDITIONAL EQUIPMENT:**

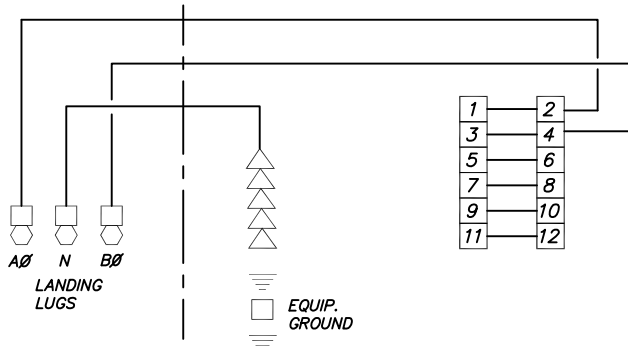
- TWO MERCURY RELAYS
- ONE TEST SWITCH
- ONE PHOTOCCELL

**THE UNIT SHALL BE SET UP TO ACCEPT:**

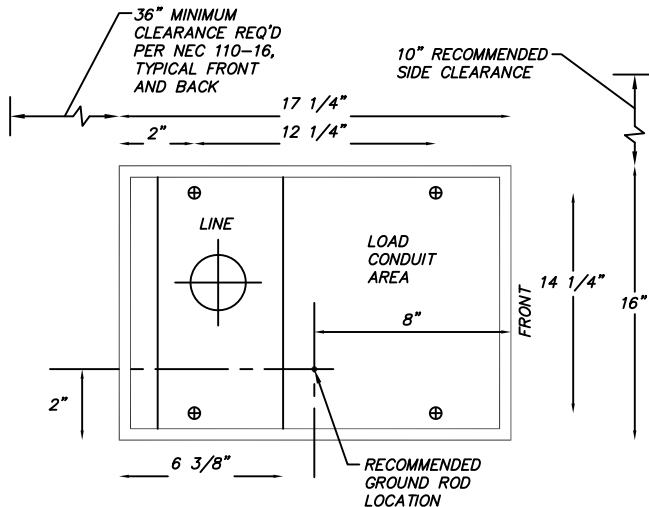
- ONE TIME CLOCK



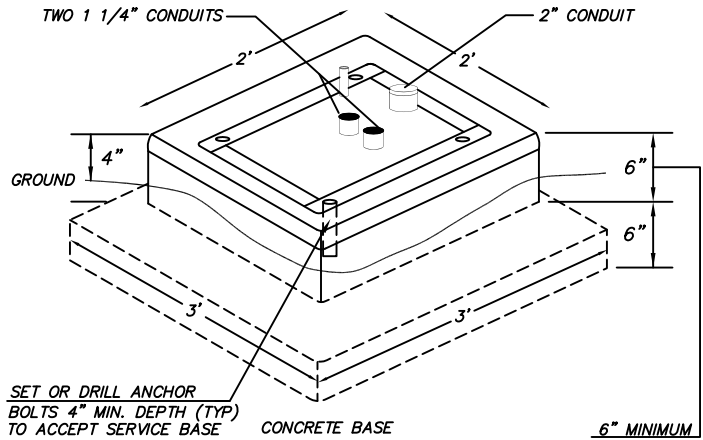
PADMOUNT BASE BEFORE INSTALLATION ON OR IN CONCRETE FOUNDATION



**WIRING DIAGRAM**



**FLOOR PLAN**



(MAY BE NEEDED TO BE INCREASED IF THE LOCATION IS WITHIN A FLOOD ZONE)

**NOTE: CONCRETE BASE RELATIONSHIP TO BACK OF SIDEWALK**

- A. THE 3' x 3' CONC. BASE SHALL BE PLACED FLUSH WITH THE BACK OF SIDEWALK, THE HEIGHT OF THE 3' x 3' CONC. BASE SHALL MATCH SIDEWALK
- B. THE 2' x 2' CONC. PAD SHALL BE CENTERED ON THE 3' x 3' CONCRETE BASE FOR THE INSTALLATION OF THE LUMINAIRE CONTROL PANEL

**FOUNDATION**

APPROVED BY	REVISED DATE	CITY OF CENTRALIA	STD. PLAN NO.
CITY ENGINEER	06/2017		
		LUMINAIRE WIRING	7-02