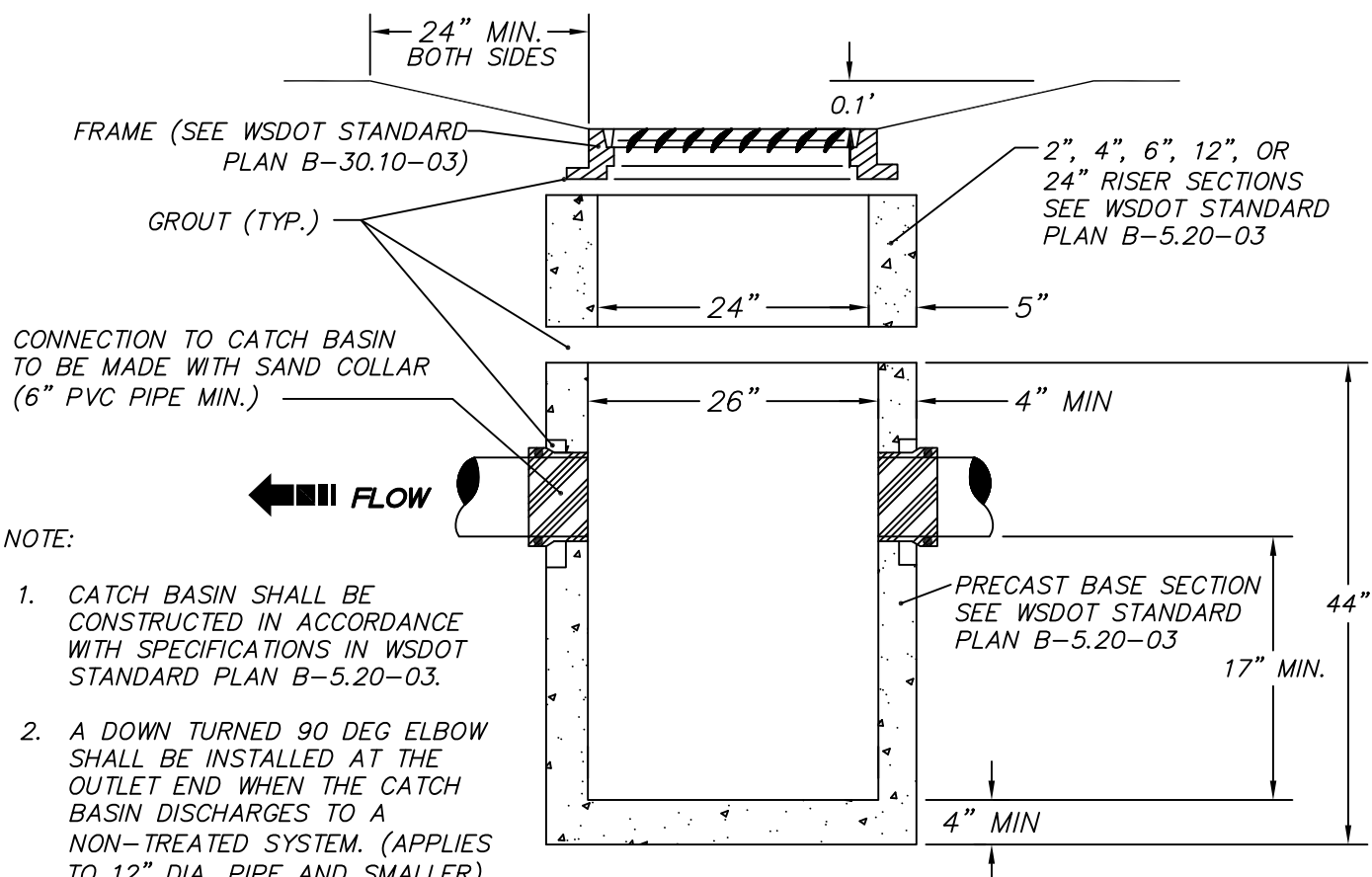
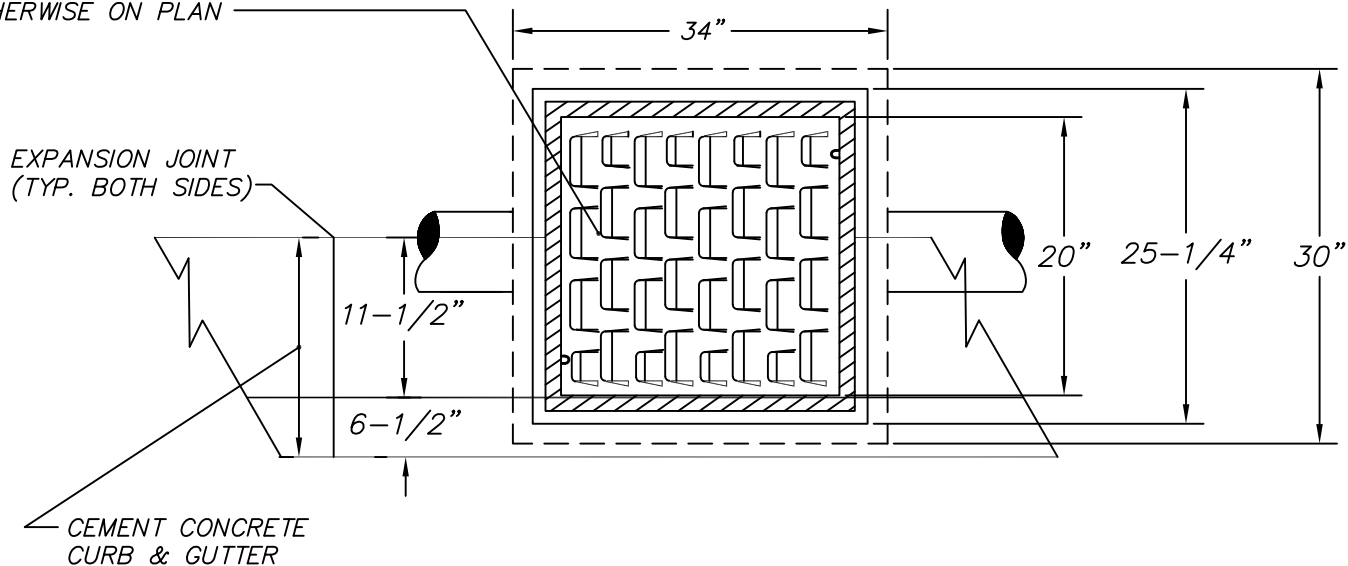


25 1/4" X 29 1/4" METAL GRATE (WSDOT STANDARD PLAN B-30.30-03 OR B-30.40-03) UNLESS NOTED OTHERWISE ON PLAN



NOTE:

- CATCH BASIN SHALL BE CONSTRUCTED IN ACCORDANCE WITH SPECIFICATIONS IN WSDOT STANDARD PLAN B-5.20-03.
- A DOWN TURNED 90 DEG ELBOW SHALL BE INSTALLED AT THE OUTLET END WHEN THE CATCH BASIN DISCHARGES TO A NON-TREATED SYSTEM. (APPLIES TO 12" DIA. PIPE AND SMALLER)
- THE MAXIMUM DEPTH FROM FINISHED GRADE TO THE LOWEST PIPE INVERT SHALL BE 5'. A TYPE 2 CATCH BASIN IS REQUIRED WHERE DEPTH IS GREATER THAN 5'. SEE STANDARD DETAIL 9-03.

APPROVED BY	REVISED DATE	CITY OF CENTRALIA	STD. PLAN NO.
CITY ENGINEER	11/2020	CATCH BASIN TYPE 1 IN PAVEMENT AREA	9-01