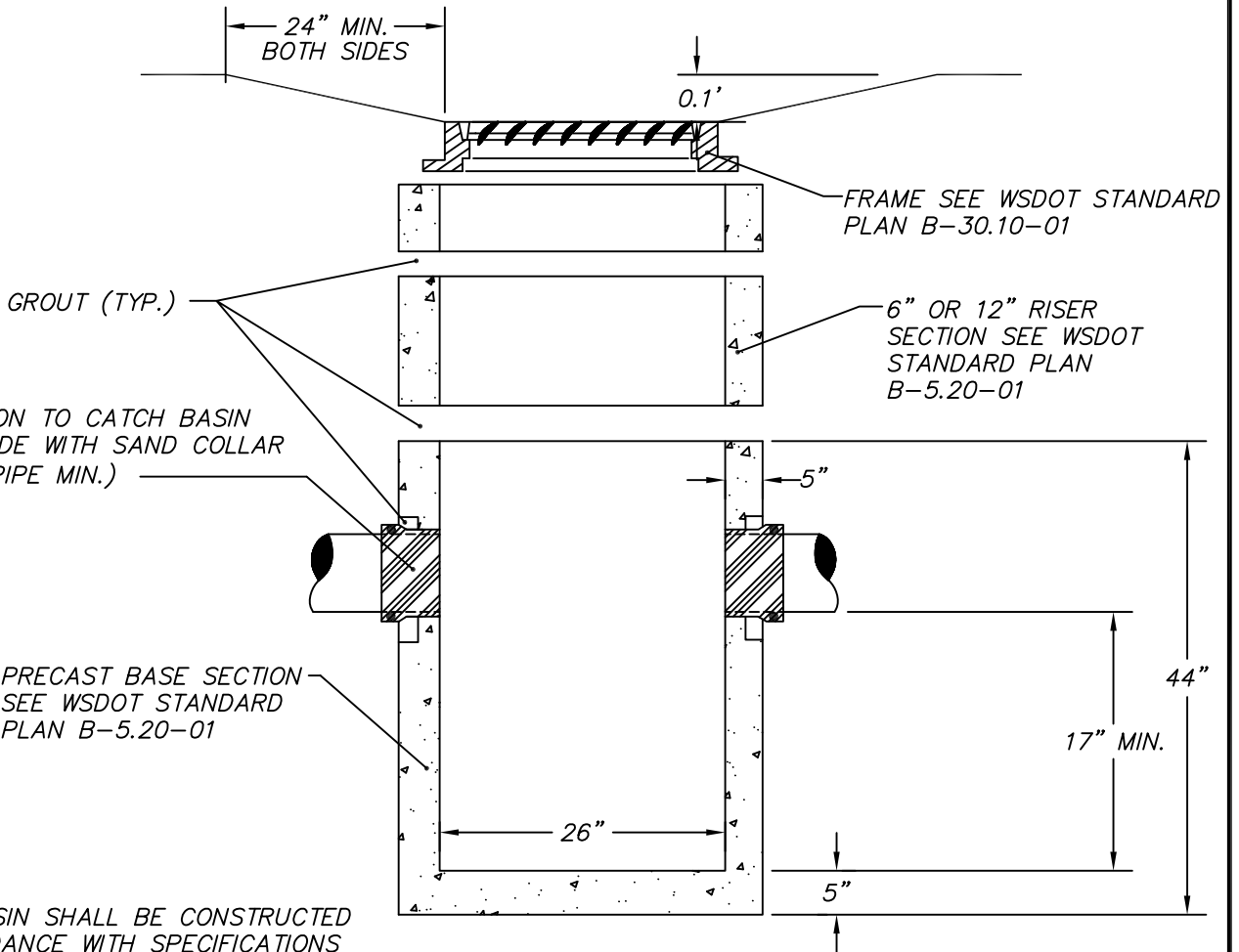
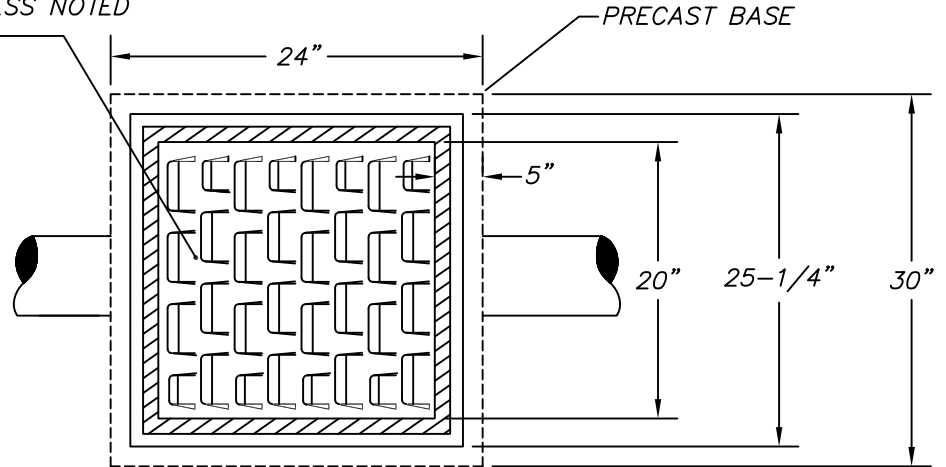


20" X 24" METAL GRATE WSDOT STANDARD PLAN
 B-30.30-01 or B-30.40-01 UNLESS NOTED
 OTHERWISE ON PLAN



NOTE:

CATCH BASIN SHALL BE CONSTRUCTED
 IN ACCORDANCE WITH SPECIFICATIONS
 IN WSDOT STANDARD PLAN B-5.20-01

APPROVED BY	REVISED DATE	CITY OF CENTRALIA	STD. PLAN NO.
CITY ENGINEER	06/2017	CATCH BASIN TYPE 1 OUTSIDE PAVEMENT AREA	9-02