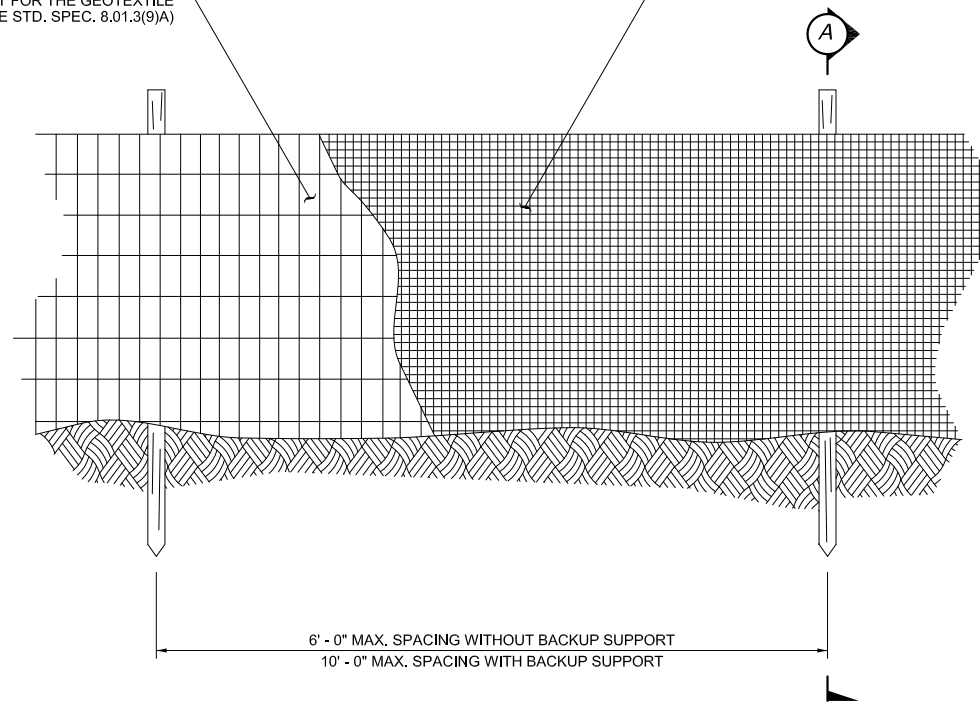


WHEN SPECIFIED IN THE CONTRACT, INSTALL BACKUP SUPPORT FOR THE GEOTEXTILE ~ SEE STD. SPEC. 8.01.3(9)A

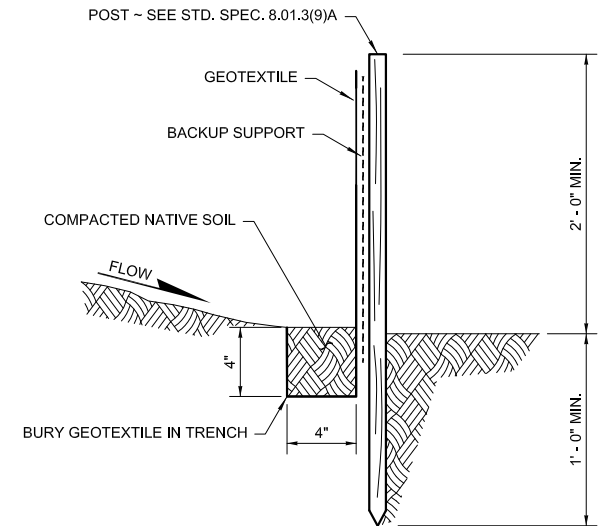
GEOTEXTILE FOR TEMPORARY SILT FENCE ~ SEE STD. SPEC. 9-33.2(1), TABLE 6



ELEVATION VIEW

NOTES:

1. Maximize detention of stormwater by placing fence as far away from toe of slope as possible without encroaching on sensitive areas or outside of the clearing boundaries.
2. Install silt fencing along contours whenever possible.
3. Install the ends of the silt fence to point slightly up-slope to prevent sediment from flowing around the ends of the fence.
4. Perform maintenance in accordance with Standard Specifications 8.01.3(9)A and 8.01.3(15).



SECTION A

9-04	STD. PLAN NO.
-------------	---------------

APPROVED BY	REVISED DATE	CITY OF CENTRALIA
CITY ENGINEER	06/2017	SILT FENCE