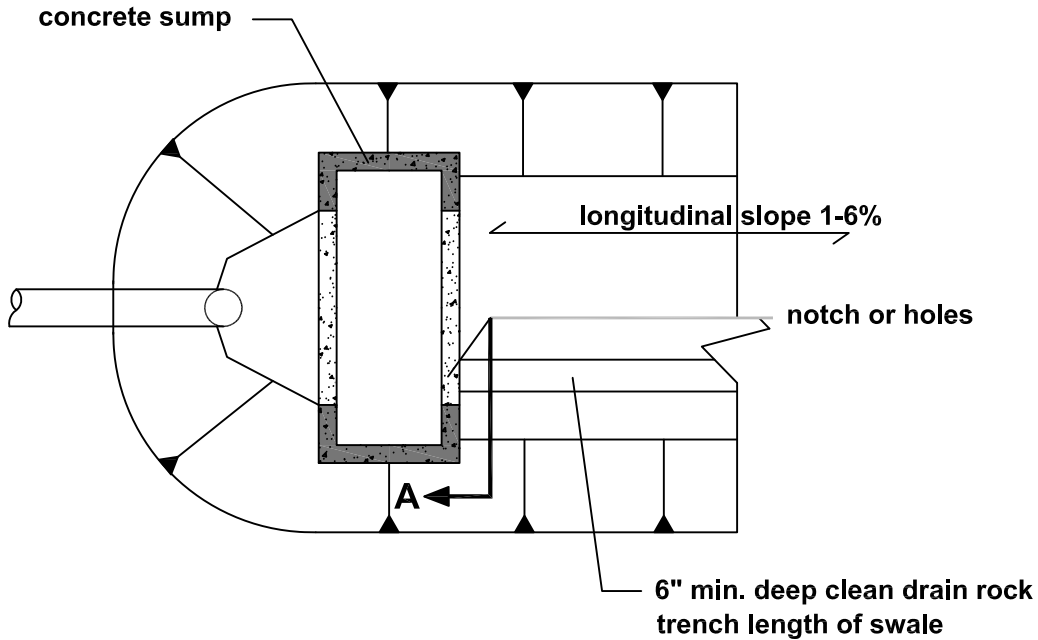
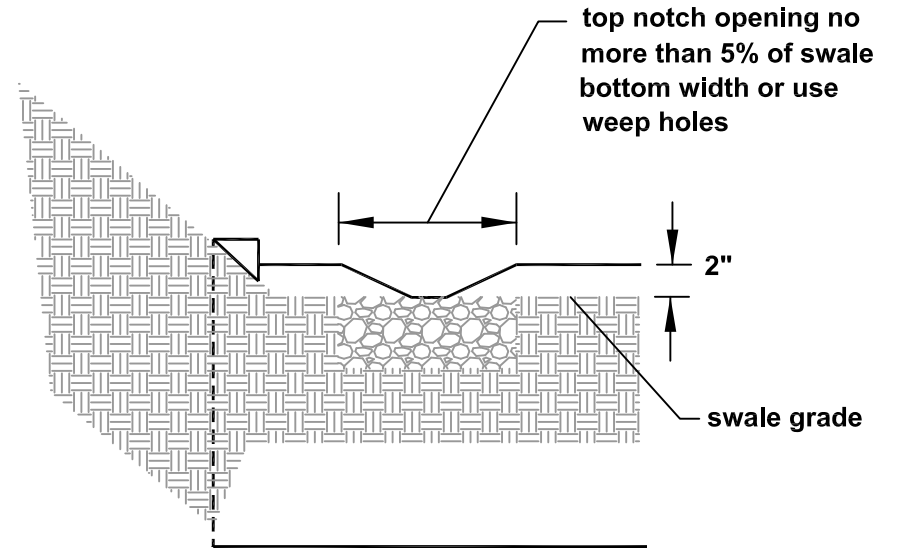


Biofiltration Swale Low-Flow Drain Detail



PLAN VIEW
NTS



SECTION A
NTS

9-15	STD. PLAN NO.
-------------	---------------

APPROVED BY	REVISED DATE	CITY OF CENTRALIA
CITY ENGINEER	06/2017	BIOFILTRATION SWALE LOW-FLOW DRAIN DETAIL